



UPHOLDING A VISION.

tvmount

Product Number MVUCM

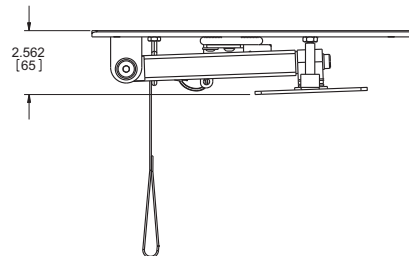
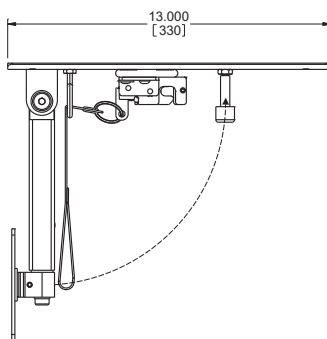
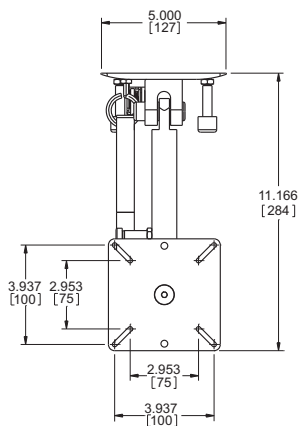
small undercabinet

Supports Flat Panels up to 26" or 30 lbs.



Product features:

- Low profile space saving design
- Offers a wide range of viewing angles
- Secure latch for storage in mobile environments
- Easy access latch release strap
- Preamsembled for quick and easy installation
- Lightweight, non-corrosive materials



Product specifications:

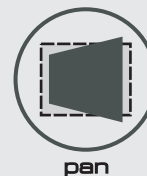
Model: MVUCM

	ENGLISH	(METRIC)
COMMON SCREEN SIZES:	10"-26"	(25.4cm - 66.0cm)
MAX LOAD:	30lbs	(13.6kg)
HOLE PATTERN RANGE: (VESA)	3" X 3", 4" X 4",	(75 X 75mm, 100 X 100mm)
DIMENSIONS:	5" W X 11-1/8" H X 13" D	(12.7 W X 28.3 H X 33.2 D cm)
SHIPPING WEIGHT:	4.8lbs	(2.2kg)

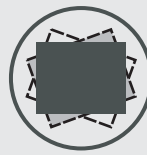
10 Year Warranty - No Assembly Required
Designed, Engineered, and Manufactured in USA



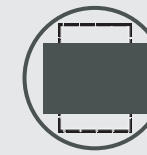
tilt



pan



leveling



P2