



UPHOLDING A VISION.

tvmount

Product Number MSDSL-1

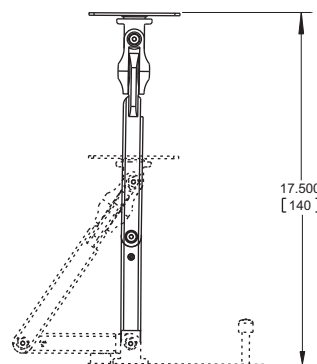
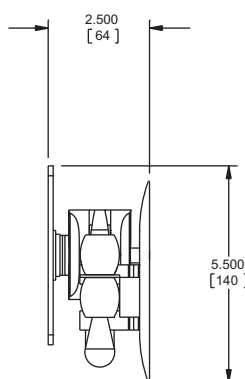
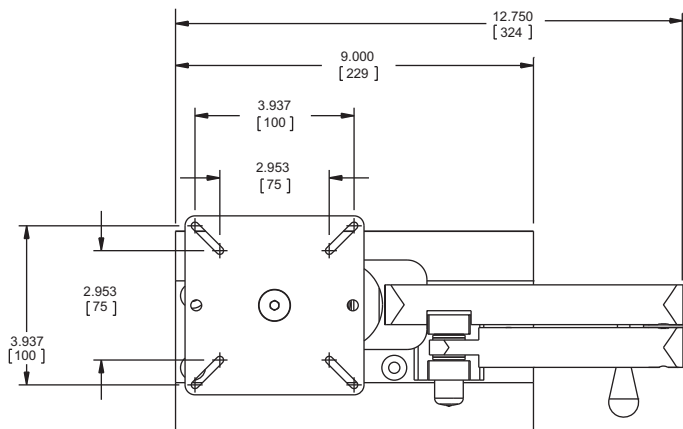
microlocking doubleswing

Supports Flat Panels up to 23" or 15 lbs.



Product features:

- Compact design
- Bumper and Stop design for mobile applications
- Designed to eliminate drifting, while still maintaining easy position adjustability
- Innovative spring lock holds panel firmly in folded position



Product specifications:

Model: MSDSL-1

	ENGLISH	(METRIC)
COMMON SCREEN SIZES:	10"-23"	(25.4cm - 58.4cm)
MAX LOAD:	15lbs	(6.8kg)
HOLE PATTERN RANGE: (VESA)	3 X 3", 4 X 4",	(75 X 75mm, 100 X 100mm)
DIMENSIONS:	12-3/4" W X 5-1/2" H X 2-1/2" D	(32.4 W X 14.0 H X 6.3 D cm)
SHIPPING WEIGHT:	5.8lbs	(2.6kg)

**10 Year Warranty - No Assembly Required
Designed, Engineered, and Manufactured in USA**

